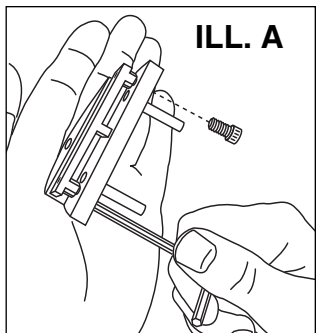
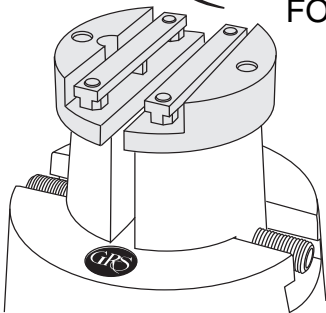


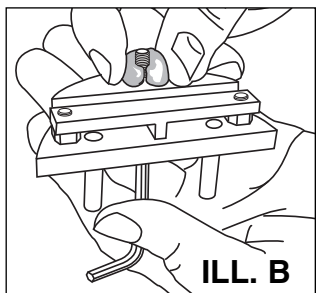


Thermo-Loc™ Jaw Kit INSTRUCTIONS

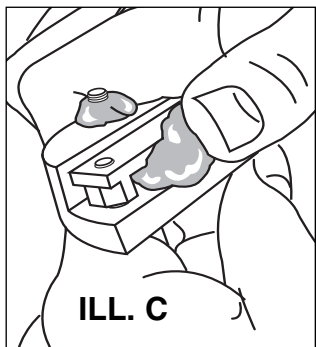
FOR JAW KITS #003-668 & #003-669



ILL. A



ILL. B



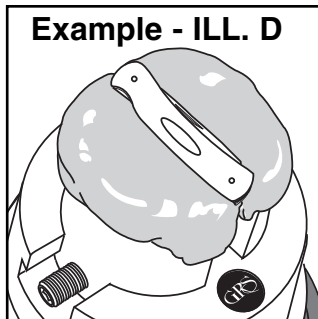
ILL. C



CAUTION:

Read and follow the Thermo-Loc instructions (Lit #230) to avoid injury.

Attach the metal bonding strip to the jaw plate with supplied socket head bolts (ILL. A). Note the bonding strip has a high center. Equally insert the bolts and snug, but **DO NOT** draw tight. This will give allowance for shrinkage in the Thermo-Loc. To aid in holding the Thermo-Loc, insert a socket head bolt through the hole in the jaw and wrap a small amount of softened Thermo-Loc around it (ILL. B). Follow the heating instructions supplied with the Thermo-Loc to soften. Thermo-Loc adheres to itself very aggressively and this method will hold the bolt in place while working the material. With more softened Thermo-Loc, form it around and under the metal bonding strip (ILL. C) and across the jaw plate. Once you have shaped both jaws and "trapped" the item you want to hold, forming your "holding mold", let it cool (see Example - ILL. D & NOTE below). Some shrinkage may occur, if so, tighten the bolts holding the bonding strip. You can remove the "holding mold" with embedded bonding strip by removing the bolts. This gives you the option to save for future jobs on the same type of workpiece.



Example - ILL. D

NOTE: Remember to think about how you will remove your workpiece **BEFORE** you form Thermo-Loc around it. Thermo-Loc becomes amazingly stiff at room temperature which generally prevents you from bending it out of shape to remove your part. Instead, look at the shape of your part and form Thermo-Loc around it in such a way that it will slide off in at least one direction.



- TOOLS
- TECHNIQUES
- TRAINING

900 Overlander Road • Emporia, KS 66801 USA
Phone: 1-800-835-3519 • Fax: 620-343-9640
Tel: 620-343-1084 • e-mail: GRS@GrsTools.com
website: www.GrsTools.com

ORDER FORM

QTY.	PART NO.	DESCRIPTION	COST	TOTAL
	#003-667	Thermo-Loc™ Starter Kit Includes 6" (150mm) square PTFE (Teflon®) pad and 1 lb. (450 gm) Thermo-Loc sticks.	\$32.95	
		Thermo-Loc™ Sticks		
	#003-664	0.5 lb. (225 gm)	\$15.95	
	#003-665	1.0 lb. (450 gm)	\$26.95	
	#003-666	5.0 lb. (2.26 kg)	\$108.95	
	#003-291	PTFE (Teflon®) Pad - 6" (150mm) square	\$11.80	
	#003-672	Thermo-Loc™ Jaw Bonding Strips Includes 4 Bonding Strips & 4 Socket Head Bolts  Fits Jaw Kit #003-668 & #003-669	\$19.95	
	#003-290	Thermo-Loc™ Jaw Bonding (SINGLE) Strip Includes 1 (ONE) Bonding Strip  PRICE EACH \$ 6.10 Fits Jaw Kit #003-668 & #003-669		
	#003-671	Pin Kit for GRS Magnablock, Positioning & Low Profile Vise Includes 4 ea. 1/4" short pins, 4 each 1/4" medium pins, 2 each 3/8" short pins, 2 each 3/8" medium pins. 	\$27.95	
	#003-670	Pin Kit for GRS Standard Vise Includes 6 ea. 1/4" short pins, 6 each 1/4" medium pins	\$27.95	

EXTRA BONDING STRIPS

(Prices subject to change without notice.)

TOTAL _____

Ship To:

Company _____

Name _____

Shipping Address _____

City _____

State _____

Zip _____

Phone: _____

METHOD OF PAYMENT:

- Check or Money Order
(for personal check allow 7 days to process)
- Charge my account (listed firms only)
- MasterCard Visa
- American Exp. Discover

Card No. _____

Exp. _____ / _____

Your Signature _____

Shipping: Enclose money order or personal check and receive FREE ground shipping in lower 48 states. Freight and Handling costs will be charged to account or credit card. Sent US Mail or UPS ground unless otherwise requested.

Please send via: _____

MAIL ORDER TO: GRS Tools
P.O. Box 1153 • Emporia, KS 66801

FAX ORDER TO: 620-343-9640

ORDER TOLL FREE: 1-800-835-3519
Monday - Friday / 8am-5pm Central Time
PLEASE ASK FOR ORDER DESK